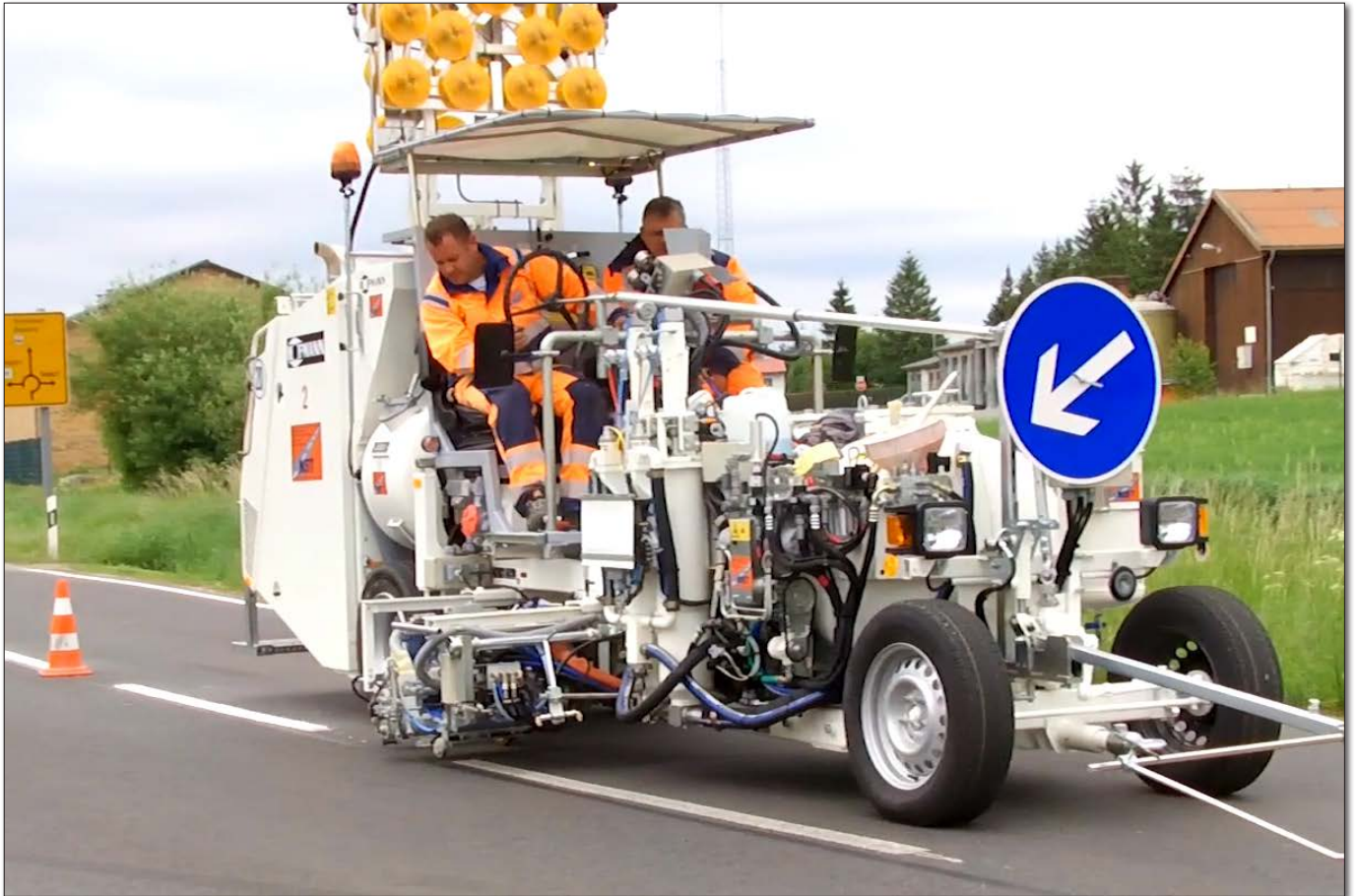




04/2020

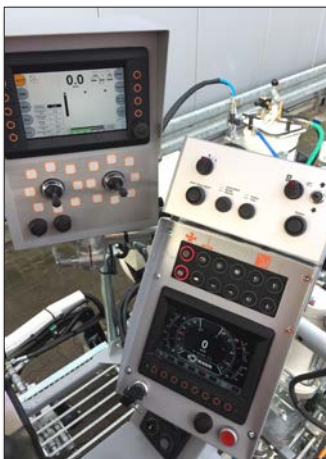
H26-4



①



②



③

A compact and narrow machine with high capacities and excellent hill climbing ability.

- Robust, high-effective 7-ton construction machine axle with hydraulically switchable speed ranges combined with a high-speed hydraulic motor.
- Cooling system with automatic adaption of ventilator speed to ambient temperature and machine load (noise reduction at normal machine load and higher cooling performance at extreme machine load).
- Inlet of whole cooling air from upper side of the machine - far away from spray mist.
- Two pressurised glass bead tanks. Filling openings for glass beads at the side of the machine in ideal filling height.
- Cockpit with all operating elements laterally adjustable without the need to install guides.
- Arrangement of operating and supervising instruments can be easily modified according to individual requirements. Adjustable, easy extractable spraygun support for center- and edge line markings.
- Engine compartment easily accessible for service work. High ground clearance also eases service works from below.
- Excellent panoramic view, also when driving backwards.
- Available as option: Individual applications units are exchangeable (exchangeable container) with low effort by quick opening device systems and modular design principle.

① H26 Road marking machine with pressurised container (650 l) for 2-component cold plastics with bellow pump for stochastic agglomerates, Spottflex® and profiled markings, M98:2

② Rear unit as well as fuel filler neck

③ On-board computer and line-gap electronic MALCON4

H26-4

Combinations possible!



ROAD MARKING SYSTEMS

Technical Data

4-cylinder 3800 cm³, Kubota Turbo diesel engine, water-cooled

Version I:

Non-Label (correspond to **EU Stage II** resp. (US) EPA Tier 2) 74,0 kW at 2600 rpm

Version II:

Low-emission **EU Stage V** resp. (US) EPA Tier 4 with diesel oxidation catalyst (DOC) and Diesel Particulate Filter (DPF) 55,4 kW at 2200 rpm

Fuel tank: 150 l in safety zone above rear axle

Hydraulic oil tank: 85 l

Air output, alternatively: 1300 - 2400 l/min at 7,5 bar; compressed-air cooler

Drive unit:

- infinitely variable hydraulic drive
- acts simultaneously as service brake
- speed ranges:
2: 0-5,3 / 0-19,5 km/h
4: 0-4,3 / 0-6,5 / 0-16,0 / 0-24,5 km/h

Power-take-offs for up to 5 hydraulic pumps, for several drives like material metering pumps, agitators etc.

Pressure glass bead container tank:
2 x 160 l (up to max. 3 bar)

Dimensions approx. (mm):
5 300 - 6 100 x 1 340 x 2 380 (dependent on equipment)

Weight, equipped:
approx. 2400 - 4200 kg
approx. 5290 - 9260 lbs

Max. gradient angle:
50 % (26°) at 5500 kg/12 125 lbs at low speed

Total admissible weight:
approx. 6800 kg
approx. 14991 lbs

A Cold paints

Containers up to 920 l *

mounted longitudinally: up to 385 l * (swivel-mounted pressure container).

460 l- and 800 l pressure container are suitable for equipment with universal pump (up to 24 l/min pump capacity), can be operated also unpressurised.

Universal pump suitable for high-pressure spraying method (Airless) and low-pressure spraying method (atomising-air-spraying method/Airspray).

Using the Airspray method the pump is also suitable for non-airless paints with or without mixed-in glass beads. (see information n° 374 and 382)

A Marking with control governed by travelled distance (AMAKOS®) can be used under certain circumstances:

Constant line thickness irrespective of marking speed as well as manual adjustments are selectable. (see information n° 396)

A 2-component cold plastics

Containers sprayable cold plastics: up to 800 l *

A cold plastics: up to 600 l *

460 l and 800 l pressure container (only 98:2) are suitable for equipment with universal pump (up to 24 l/min pump capacity), can be operated also unpressurised.

Sprayable cold plastics 1:1 and 98:2 Universal pump suitable for high-pressure spraying method (Airless) and low-pressure spraying method (atomising-air-spraying method/Airspray).

Using the Airspray method the pump is also suitable for non-airless sprayable cold plastics with or without mixed-in glass beads. (see information n° 374, 387)

Extrud. cold plastics 1:1 and 98:2 Plain, structured (agglomerate), Spotflex® (bellow pump or pressurised container system) as well as profiled markings (screed box system) up to 15 mm line thickness (depending on material). (see information n° 384, 385)

A Thermoplastics

Containers extrudable thermoplastics: up to 500 l * heated by LPG or diesel oil.

Open thermoplastic screed boxes with oil jacket and LPG- or diesel oil heating, incl. exchangeable shutters for line widths from 10-50 cm as well as equipments for profiled markings. (see information n° 279)

Closed thermoplastic screed boxes heated directly from container, with oil circulation pump.

Thermoplastic extruder for single-, double- and triple lines of variable width, for simultaneous application of continuous / interrupted lines as well as for agglomerate- (MultiDotLine® Universal Extruder/ MultiDotLine® Plus) and profiled markings. Due to its modular design, existing extruders can be modified at any time in order to execute different plain- and profiled markings (see information n° 279,343,430)

Combinations of extrudable thermoplastic (extruder- or screed box) and sprayable thermoplastic with metering pump (pressureless) or pressurised containers possible.

A Sprayable thermoplastics

Containers sprayable thermoplastics: up to 600 l * heated by LPG or diesel oil.

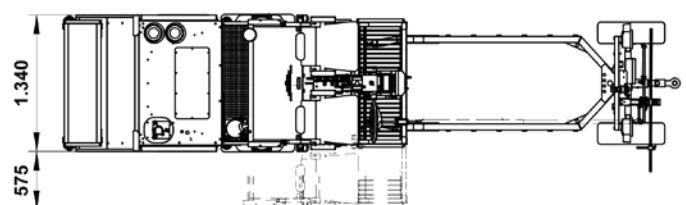
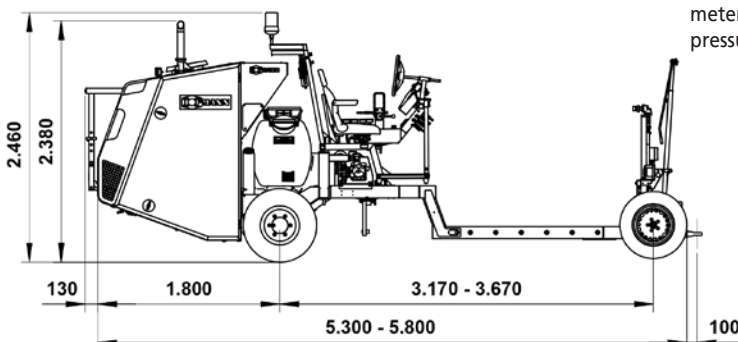
Gun support for several spray guns infinitely laterally adjustable between left and right side of machine.

Heat transfer oil circulating pump and heat exchanger for heating of atomiser air for improvement of material sprayability.

300 l pressurised container: container wall detachable for easy cleaning.

In case of an air pressure drop an emergency valve automatically closes.

Combinations of sprayable thermoplastic with metering pump (pressureless) or pressurised containers and extrudable thermoplastic applied by extruder or screed box (pressureless) possible.



*Customised sizes upon request