



09/2019

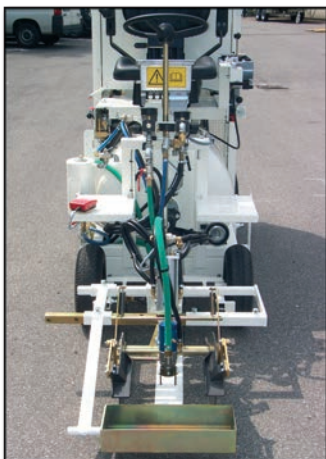
H11-1



①



②



③

A maneuverable machine with lower capacities, especially perfect for narrow marking conditions.

- Hydraulic drive with wheel motor for infinitely variable speed regulation. Mechanical parking brake.
- Excellent visibility, both during centre and edge line markings.
- No ifs or buts: Engine compartment easily accessible for service work.
- Operator's stand can be easily tilted upward for filling the material container.
- Favourable arrangement of paint- and pressurised bead containers. Feed openings only 80 cm above the road surface. In case of paint and/or glass bead spillage no danger for the machinery.
- Extraordinary manoeuvrability. Only 2 manoeuvres are necessary to turn the machine back within a width of approx. 4,2 m.

- ① H11-1 roadmarking machine for cold paint (Airless), with pump and 120 l container
- ② H11-1 roadmarking machine for cold paint (Airless), with pump
- ③ Cold paint marker unit with rolling disks for centre markings

Technical data

3-cylinder 900 cm³
Kubota Diesel engine,
water-cooled
low-emission (US) EPA TIER 4

12,5 kW at 2800 rpm

Fuel tank: 26 l

Hydraulic oil tank: 29 l

Air output:
up to 740 l/min at 6 bar;
(2-cylinder compressor)

Drive unit:
• infinitely variable hydraulic drive
• acts simultaneously as service brake
• speed range:
0 – 8,0 km/h

Pressurised glass bead container:
65 l or (max. 0,5 bar)
2 x 30 l (angular / max. 0,5 bar)

Turning circle:
Ø 4,8 m
(dependent on equipment)

Dimensions (L x W x H mm):
2150 x 1380 x 2000
(dependent on equipment)

Weight, equipped:
approx. 900 kg
approx. 1985 lbs

Total admissible weight:
approx. 1300 kg
approx. 2866 lbs

Cold paints - Atomising air method

Container
up to 140 l
(120 l or 2 x 70 l
pressure container)

Cold paints - Spraying method Airless

Container
up to 120 l
(pressure container)

Pressure container is suitable for equipment with one Airless pump (up to 7,5 l/min pump capacity), can be operated also unpressurised.

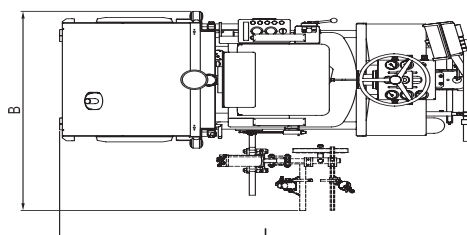
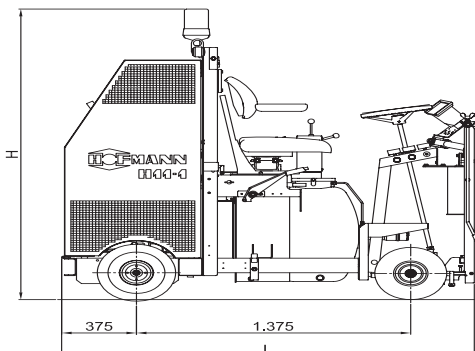
Version with 2 x 70 l container includes 2 x 30 l glass bead container up to max. 0,8 bar (without 65 l pressure bead container)



Easy maintainable H11-1: very good access ...

to machinery

marking of zebra crossing



(Customised sizes upon request)