



05/2020

H10-2



①



②



③

A machine with unique maneuverability as well as ideal cornering characteristics

- Hydraulic drive with wheel motor for infinitely variable speed regulation. Mechanical parking brake.
- Optimal visibility conditions during marking operation.
- Perfect loading facility.
- Two rear wheels, one driven front wheel which can be turned to the right and left by almost 90° via steering. This allows an extremely small turning circle of 3.7 m (around stationary right or left rear wheel). No dangerous acceleration on the external outside of the curve.

- ① H10 for thermoplastics with screed box, 12 cm
- ② H10 for thermoplastics with Multi-DotLine® universal extruder, 30 cm - only for test field applications
- ③ H10 for thermoplastics with open thermoplastic screed box, 30 cm

H10-2



ROAD MARKING SYSTEMS

Technical Data

2-cylinder 690 cm³, Honda gasoline engine, air-cooled

14,5 kW at 3 200 rpm

Fuel tank: 20 l arranged at engine

Hydraulic oil tank: 10 l

Air output: up to 670 l/min at 6,0 bar (2-cylinder compressor)

- Drive:
- infinitely variable hydraulic drive on front wheel
 - acts simultaneously as service brake
 - speed range 0 – 8,0 km/h

Pressurised glass bead tank: 35 l (max. 1,0 bar)

Turning circle: Ø 3,7 m (dependent on equipment)

Dimensions (L x W x H mm): 2645 x 1100 x 1600 (dependent on equipment)

Weight, equipped: approx. 650 – 950 kg approx. 1433- 2095 lbs

Total admissible weight: approx. 1 200 kg approx. 2645 lbs

Cold Paints Atomizing air - spraying method

Container up to 120 l (pressurised container)

Cold Paints Airless - spraying method

Container up to 120 l (pressurised container)

Pressure container is suitable for equipment with one Airless pump (up to 7,5 l/min pump capacity), can be operated also unpressurised.

2-component cold plastics Airless-spraying method

Container Sprayable cold plastics: up to 90 l

Pressureless container (only M98:2) is suitable for equipment with Airless pump (up to 6,0 l/min pump capacity).

Thermoplastics for open thermoplastic screed boxes

Container up to 100 l heated by LPG

Open thermoplastic screed boxes with oil jacket and LPG heating, incl. exchangeable shutters for line widths from 10–30 cm as well as equipments for profiled markings.

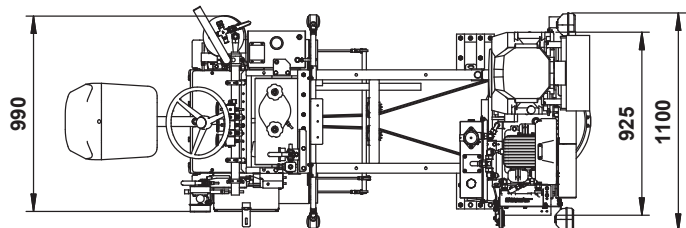
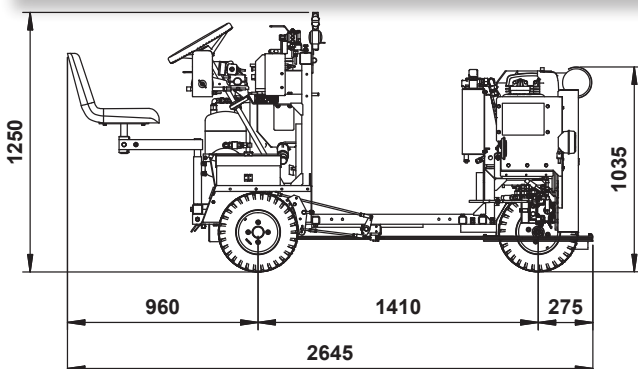
(refer to Information n° 279)

Thermoplastics for thermoplastic extruder

Container up to 100 l heated by LPG

Thermoplastic extruder for single and double lines of variable width, for simultaneous application of continuous / interrupted lines as well as for combined double lines.

(refer to Information n° 279, 343, 430)



(Customised sizes upon request)