

HOFMANN swivelling extruder

Thermoplastic extruder system for application of markings on both sides of the machine



More and more countries limit marking contrary to the driving direction. Reasons for this include questions of **traffic safety** and **traffic obstacles**.

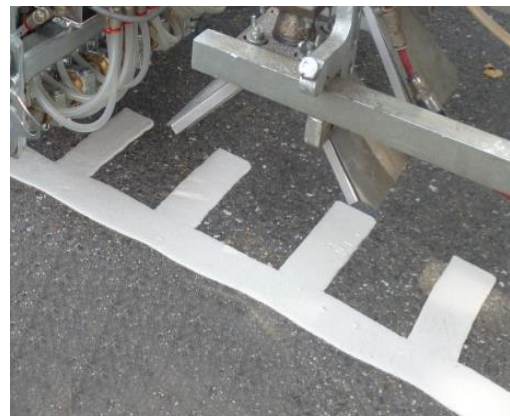
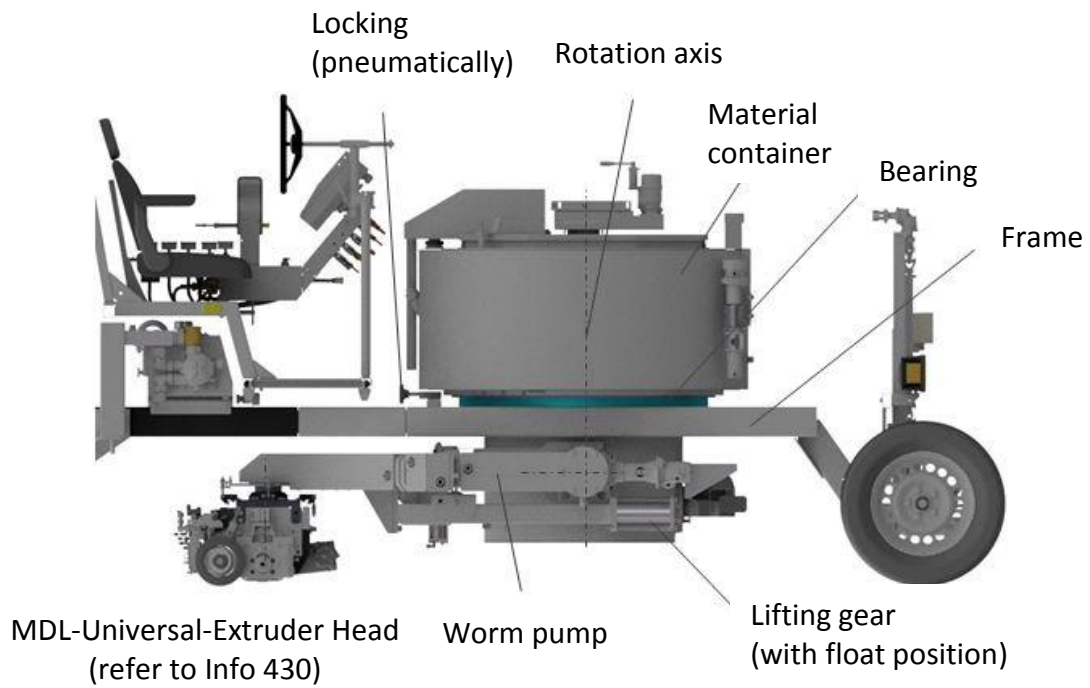
The effort required to secure the construction site can also be reduced in many cases if it is not necessary to mark against the direction of travel.

If marking lines should or must be produced on both sides of the marking machine, the extruder must be moved from side to side or be installed twice. While conversion is time-consuming and difficult and requires disconnection of hot materials lines (work safety!), installation of two extruders will quickly lead to very broad machines at 2.5 m and more (transport issues).

The innovative **HOFMANN swivelling system** makes the conversion quick and simple – without having to disconnect any hot material or thermal oil lines!

Assembly:

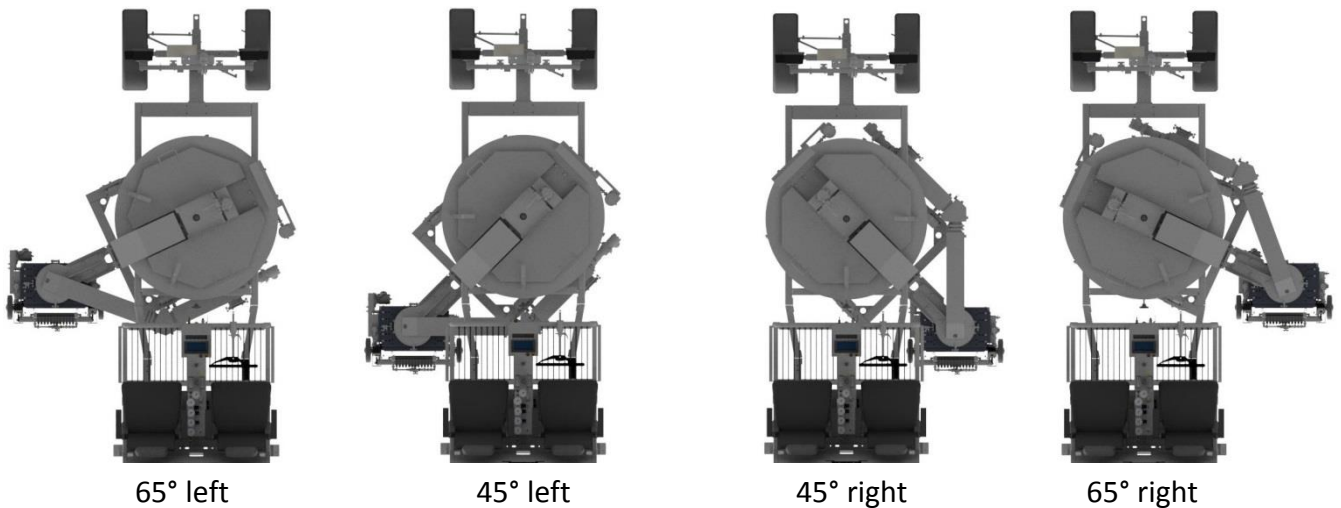
The material container is rotatably mounted on a special machine frame. The lifting gear and extruder attachment are swung through under the machine frame. The tank can be locked on either side into position at 4.5° / 45° / 55° or 65°. The entire conversion process is completed in approx. 3 minutes!



This assembly leads to a number of advantages:

Advantage 1 – Driving direction

Application of marking lines **on both sides of the machine** → Edge and centre markings can be applied always in the driving direction of travel. It is even possible to apply marking lines in the middle of the machine (limited visibility).



Advantage 2 – Time saving

The whole conversion process takes **only approx. 3 minutes** and can be easily carried out on site.

Advantage 3 – Safety at work

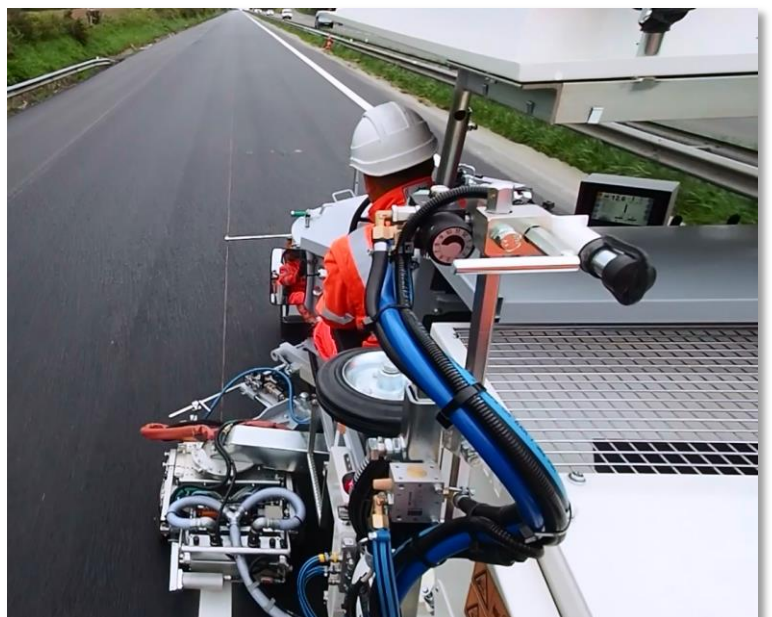
The conversion of the extruder to the other side is quick, easy and user-friendly:

→ **There is no need to separate hot material or thermal oil lines!**

Advantage 4 – front view

Excellent view forward to the pointer and road!

→ neither worm pump nor lifting gear disturb the driver's field of vision.



Advantage 5 – Transport width

The width of the machine during transport is only approx. 1,5 m.



Marking position: Extruder on the side next to the container



Transport position: Extruder under the container

Advantage 6 – Integrated 2-stage lifting gear

With the 2-stage lifting unit, operation of the extruder is also possible when slightly raised → If the road surface is poor, this means that no shocks or vibrations are transmitted to the extruder head.

Advantage 7 – More uniform reflection values

On multi-lane highways and motorways → No deviations in reflection values due to the direction of marking. If both the right and left border line are marked in the direction of travel, the influence of the direction of the glass bead application is avoided - this is particularly advantageous for structural markings.



The new swivelling system makes the line marking machine particularly **flexible to use.**

HOFMANN GmbH